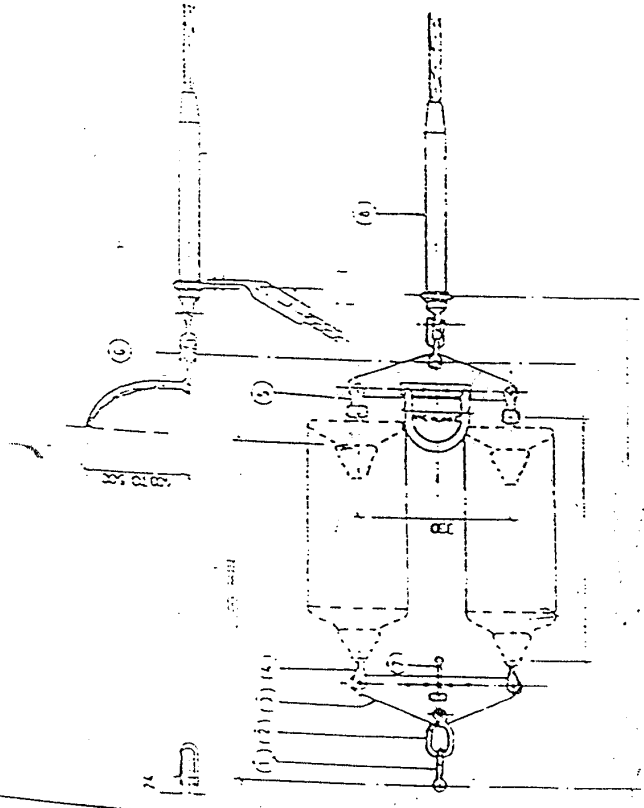


SL. NO.	DESCRIPTION	REQD. NO.	MATERIAL	M.M. ULTIMATE TENSILE STRENGTH
1	CHAIN SHACKLE	2	FORGED STEEL	240 KN
2	TWISTED SHACKLE	1	FORGED STEEL	240 KN
3	YOKE PLATE	2	MILD STEEL	240 KN
4	BALL CLEVIS	2	FORGED STEEL	170 KN
5	SOCKET CLEVIS	2	FORGED STEEL	170 KN
6	ANCHOR NORN L.S.	1	M.S. TUBE	
7	ANCHOR NORN T.S.	1	M.S. ROD	
8	DEAD END ASSEMBLY	1	AL. & STEEL	170 KN

NOTES -

- 1 SPRING WASHER ELECTRO GALVANISED
- 2 OTHER FERROUS PARTS HOT DIP GALVANISED.
- 3 BALL AND SOCKET SIZE 70MM DESIGNATION
- 4 ALL OVER ALL MINIMUM AND MAXIMUM DIMENSIONS INDICATED ARE INCLUSIVE OF MAXIMUM VARIATION IN LENGTH DUE TO INSULATOR DISC TOLERANCE OF ± 4MM
- 5 A) TOLERANCE ON TOTAL LENGTH OF HARDWARE FITTINGS OF ± 2%
B) THE TYPES OF FITTINGS AND MODE OF ATTACHMENT AS SHOWN ARE INDICATIVE ONLY AND NOT MANDATORY.
- 6 ALL DIMENSIONS ARE IN MM.



FOR BID PURPOSE ONLY

POWER GRID CORPORATION OF INDIA LTD.



PROJECT 220KV TRANSMISSION LINES

TITLE DOUBLE TENSION STRING SUITABLE FOR DISC LONG ROD INSULATOR

DRG. NO.

E/TL/220/H/01

DATE	CHKD	APPD	SCALE
15/11/01			1/4